



• Function

The GUB - A series can be used for the following main applications:

- control station and instrument housing
- motor starter unit
- lighting control panel
- electronic grounding system
- terminal and bus-bars box

and fitted with other electrical and/or electronic equipment as per client specifications.

• Construction

The materials used to manufacture the GUB - A series have been studied to grant the maximum protection against the highly corrosive agents present in these industries:

- body and cover casted in copper-free (lower 0.1%) aluminium alloy
- external epoxy powder coating RAL 7035
- internal anticondensation coating and drain and breather valves (on request)
- anti-loosening bolts (size 1) and earthing screw in stainless steel
- gasket on cover in silicone
- window in thermoresistant glass sealed with auto-leveling silicone

• Protection

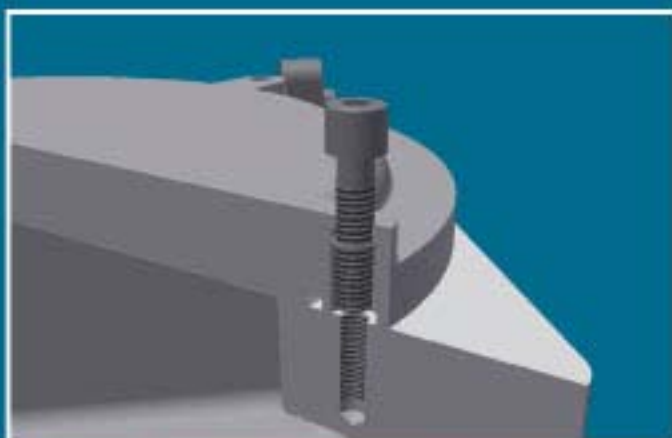
certificate number:	IMQ 11 ATEX 030
marking:	Ⓔ II 2GD Ex d e [ia]/[ib] IIC T6~T3 Gb Ex tb IIIC T85°C~T150°C Db
ambient temperature:	-60°C +60°C
degree of protection:	IP66
conformity:	Directive ATEX 94/9/EC
standards:	EN60079-0 / EN60079-1 / EN60079-7 / EN60079-11 / EN60079-31 / EN60529
category:	suitable for Zone 1 - 21 (gas) and Zone 2 - 22 (dust)

GUB - A series enclosures

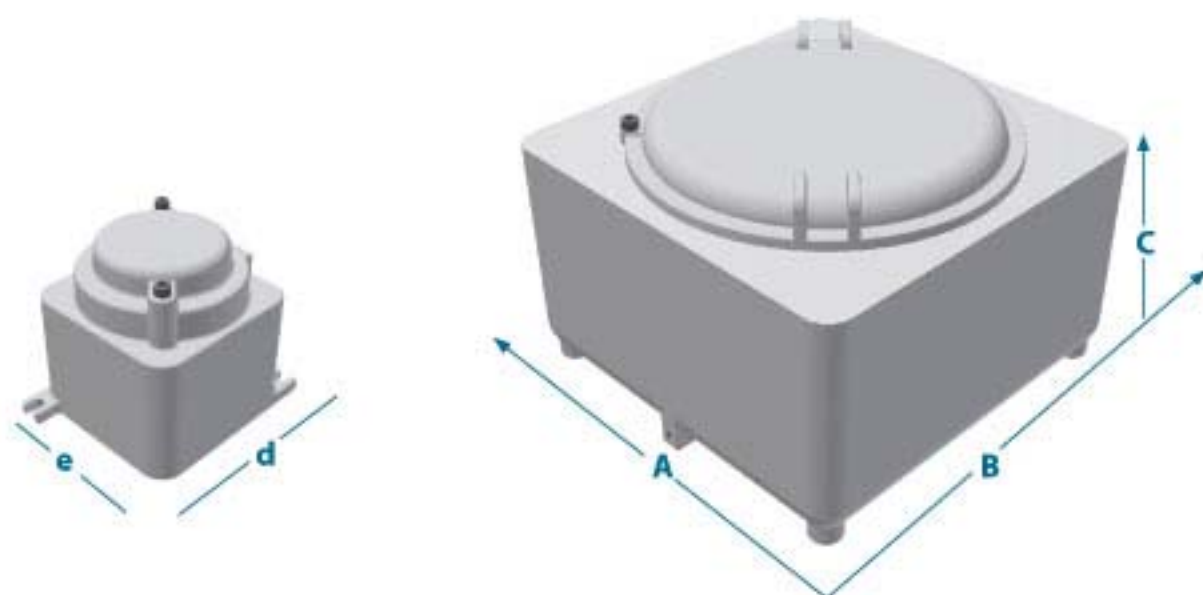
• Use

GUB - A series enclosures are normally used in the chemical and petrochemical plants, off-shore platforms, refineries and any other industry where hazardous atmospheres (gas and combustible dust) are potentially present.

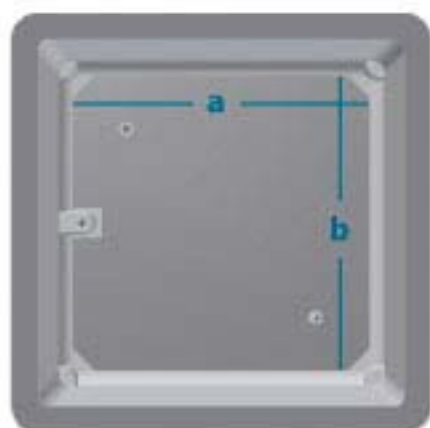
The GUB - A range has been designed to meet the main requirements of power distribution, monitoring and signalling, and other electrical functions inside the hazardous area of the plant.

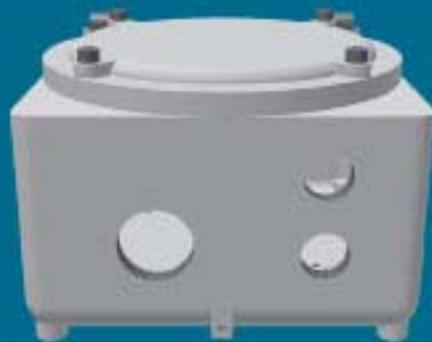


Supermec, always paid special attention to on-site installation issues. Introducing new GUB 1 A series, we designed a special anti-loosening bolt to make the job easier for maintenance staff.



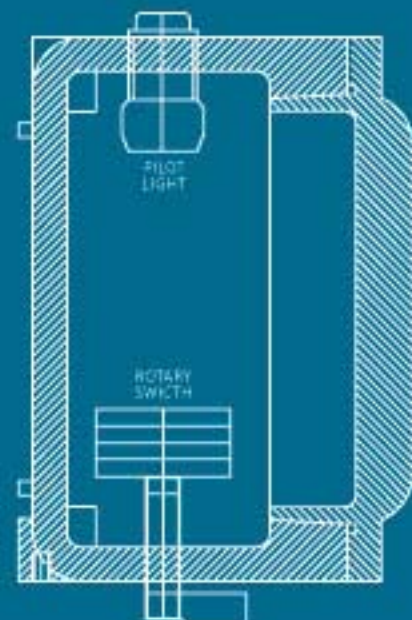
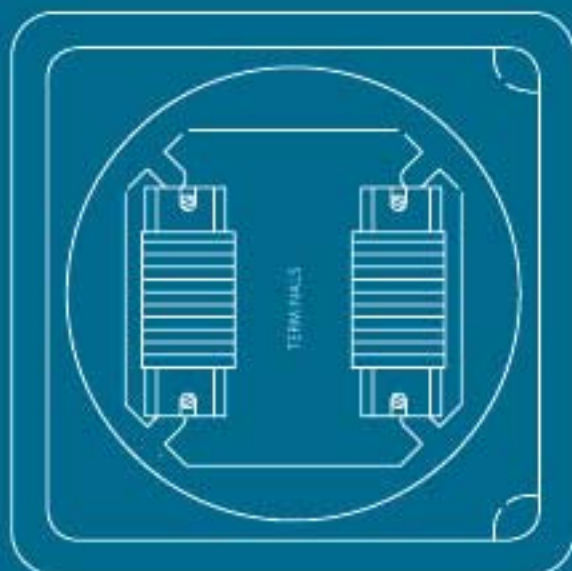
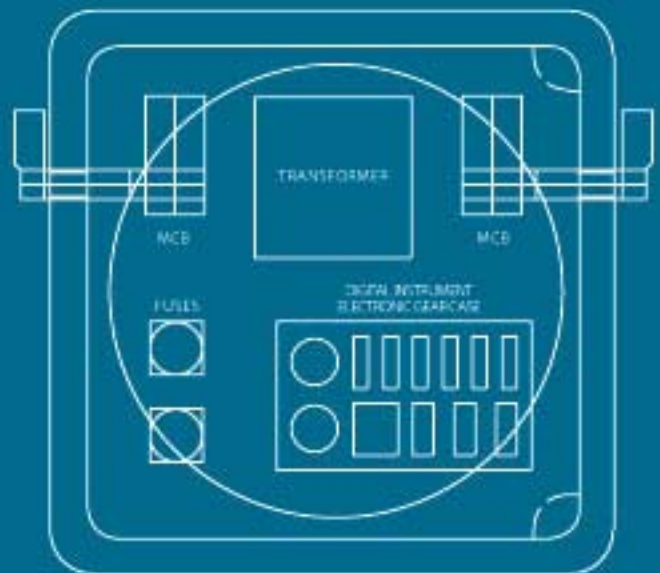
code	overall dimensions			mounting plate		fixing dimensions		
	A	B	C	a	b	d	e	screw
GUB 1 A	120	120	130	70	70	140	100	M6
GUB 2 A	176	176	148	100	100	146	146	M8
GUB 3 A	196	196	163	110	110	166	166	M8
GUB 4 A	246	246	178	140	140	216	216	M8



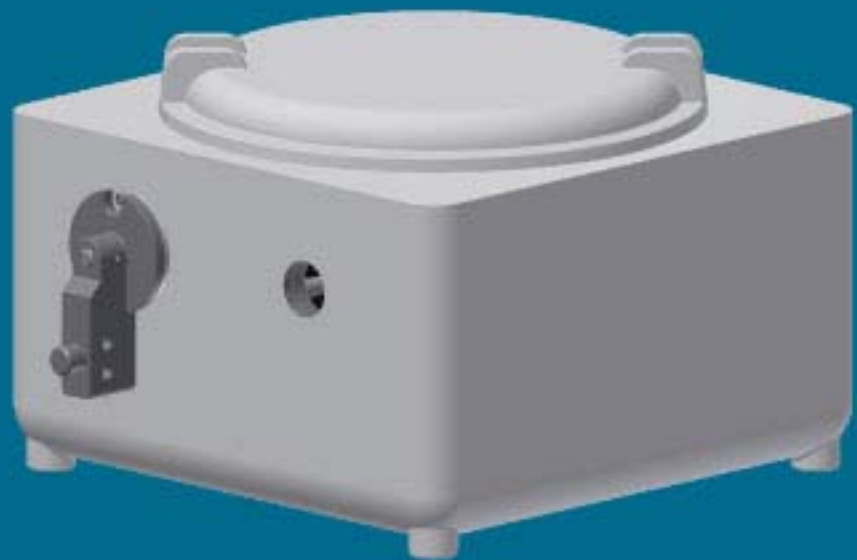


	maximum number of hubs on side walls								
METRIC	M20	M25	M32	M40	M50	M63	M75	M90	
NPT	1/2"	3/4"	1"	1 1/4"	1 1/2"	2"	2 1/2"	3"	4"
GUB 1 A	3	3	2	1	1	1	-	-	-
GUB 2 A	5	4	3	2	1	1	-	-	-
GUB 3 A	6	6	4	3	2	1	1	-	-
GUB 4 A	8	8	5	5	3	2	2	-	-

• Examples of electrical installations



	maximum number of operators on single side wall	
code	push button pilot light units	MCB 60 Ah 3P
GUB 1 A	2	1
GUB 2 A	2	1
GUB 3 A	2	2
GUB 4 A	2	2



	maximum size of windows on cover
code	diameter
GUBW 1 A	60
GUBW 2 A	70
GUBW 3 A	90
GUBW 4 A	130