



• Function

The GUBA - A series can be used for the following main applications:

- control station and instrument housing
- motor starter unit
- lighting control panel
- electronic grounding system
- terminal and bus-bars box

and fitted with other electrical and/or electronic equipment as per client specifications.

• Construction

The materials used to manufacture the GUBA - A series have been studied to grant the maximum protection against the highly corrosive agents present in these industries:

- body and cover casted in copper-free (lower 0.1%) aluminium alloy
- external epoxy powder coating RAL 7035
- internal anticondensation coating and drain and breather valves (on request)
- bolts and earthing screw in stainless steel
- gasket on cover in silicone
- window in thermoresistant glass sealed with auto-leveling silicone

• Protection

certificate number:	IMQ 11 ATEX 031
marking:	Ⓔ II 2GD Ex d e [Ia]/[Ib] IICT6~T3 Gb Ex tb IIIC T85°C~T150°C Db
ambient temperature:	-60°C +60°C
degree of protection:	IP66
conformity:	Directive ATEX 94/9/EC
standards:	EN60079-0 / EN60079-1 / EN60079-7 / EN60079-11 / EN60079-31 / EN60529
category:	suitable for Zone 1 – 21 (gas) and Zone 2 – 22 (dust)

GUBA - A *series enclosures*

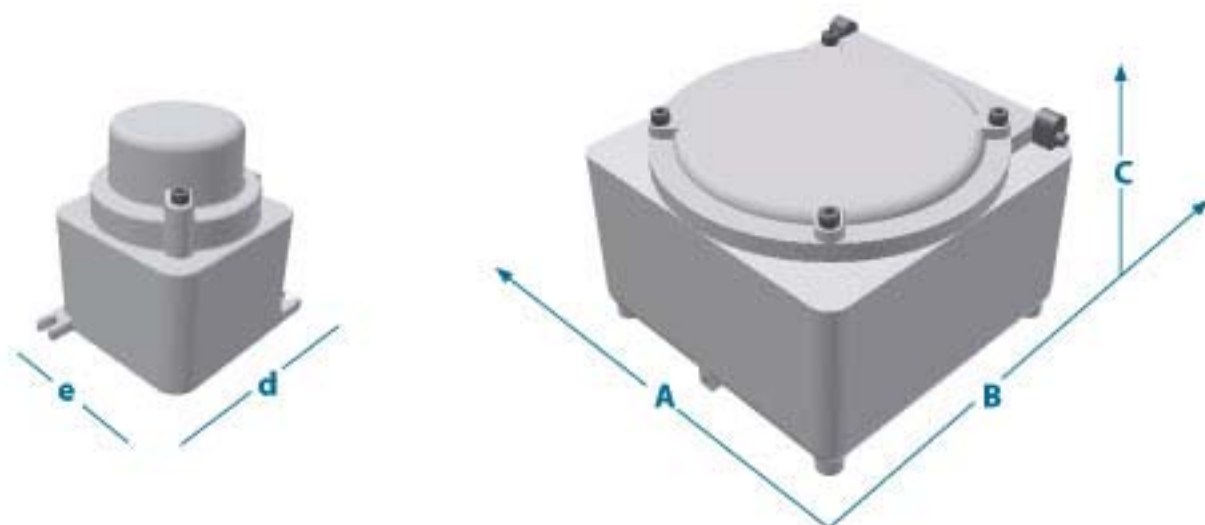
• Use

GUBA - A series enclosures are normally used in the chemical and petrochemical plants, off-shore platforms, refineries and any other industry where hazardous atmospheres (gas and combustible dust) are potentially present.

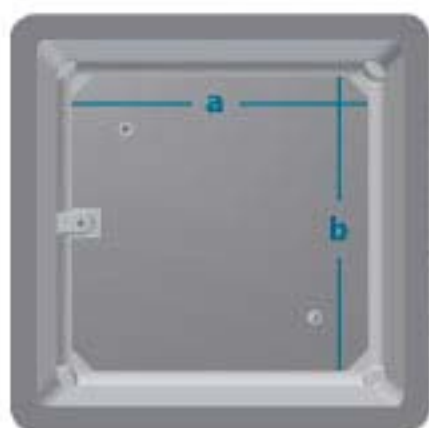
The GUBA - A range has been designed to meet the main requirements of power distribution, monitoring and signalling, and other electrical functions inside the hazardous area of the plant.



Supermec, always paid special attention to on-site installation issues. Introducing new GUBA - A series, we designed a special anti-loosening bolt to make the job easier for maintenance staff.



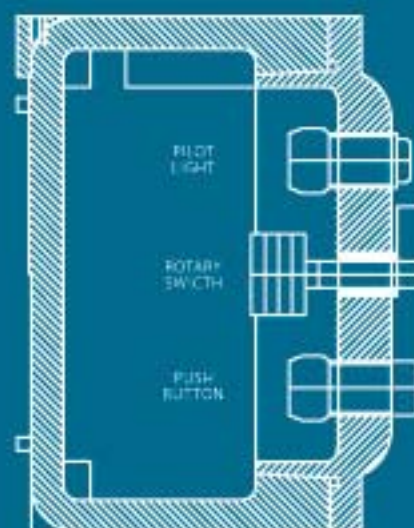
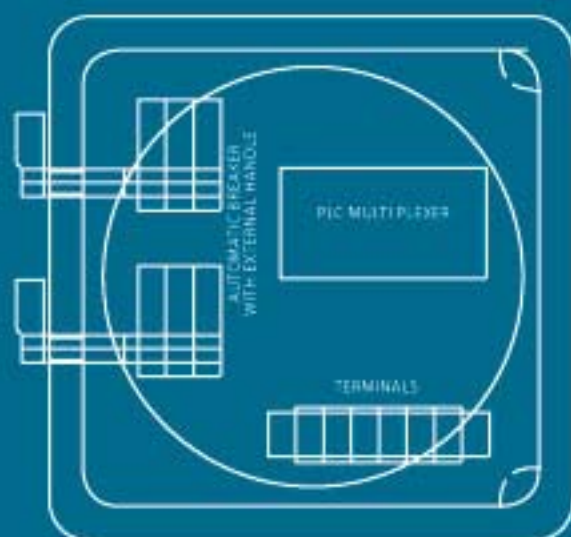
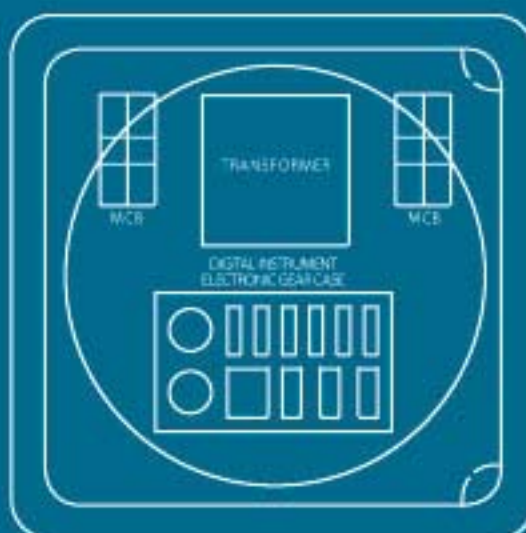
code	overall dimensions			mounting plate		fixing dimensions		
	A	B	C	a	b	d	e	screw
GUBA 1 A	120	120	152	70	70	140	100	M8
GUBA 2 A	176	176	140	100	100	146	146	M8
GUBA 3 A	196	196	155	110	110	166	166	M8
GUBA 4 A	246	246	170	140	140	216	216	M8
GUBA 5 A	314	314	216	180	180	274	274	M10
GUBA 7 A	524	524	286	320	320	464	464	M10



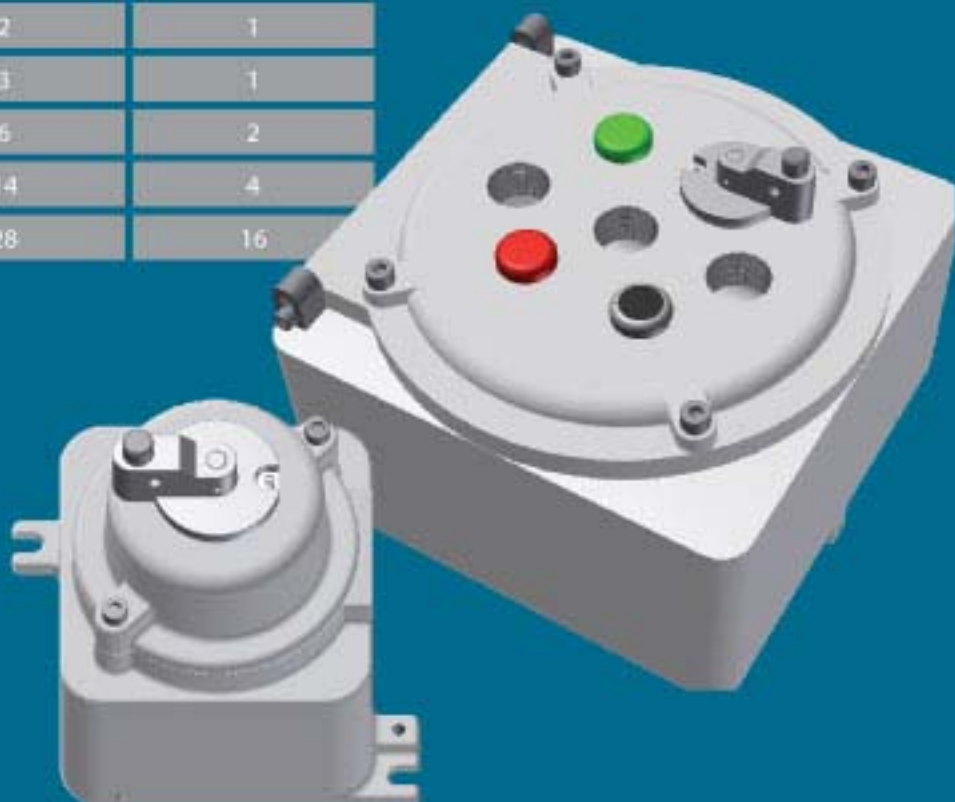


	maximum number of hubs on side walls								
METRIC	M20	M25	M32	M40	M50	M63	M75	M90	
NPT	1/2"	3/4"	1"	1 1/4"	1 1/2"	2"	2 1/2"	3"	4"
GUBA 1 A	3	3	2	1	1	1	-	-	-
GUBA 2 A	5	4	3	2	1	1	-	-	-
GUBA 3 A	6	6	4	3	2	1	1	-	-
GUBA 4 A	8	8	5	5	3	2	2	-	-
GUBA 5 A	15	11	8	6	5	3	2	1	1
GUBA 7 A	27	24	21	17	10	9	7	5	3

- Examples of electrical installations



	maximum number of operators on cover	
code	push button pilot light units	MCB 60 Ah 3 P
GUBA 1 A	1	-
GUBA 2 A	2	1
GUBA 3 A	3	1
GUBA 4 A	6	2
GUBA 5 A	14	4
GUBA 7 A	28	16



	maximum size of windows on cover				
	square			circular	
code	qty	A	B	qty	D
GUBA 2 A	1	50	50	1	70
GUBA 3 A	1	60	60	1	90
GUBA 4 A	1	90	90	1	130
GUBA 5 A	1	120	120	1	180
GUBA 7 A	1	210	210	1	300